

# SEBRIGHT MODEL 4236-1-4

## STATIONARY COMPACTOR

**Designed with 36" wide ram for flexibility in packing 4, 6, or 8 yard front or rear load containers**



Shown with right hand security chute, 8 yard compaction container, and container guides

Model 4236 reduces material to a fraction of the original volume due to its high ram face PSI rating! This unit also features the following standard Sebright Extended Life Expectancy Package:

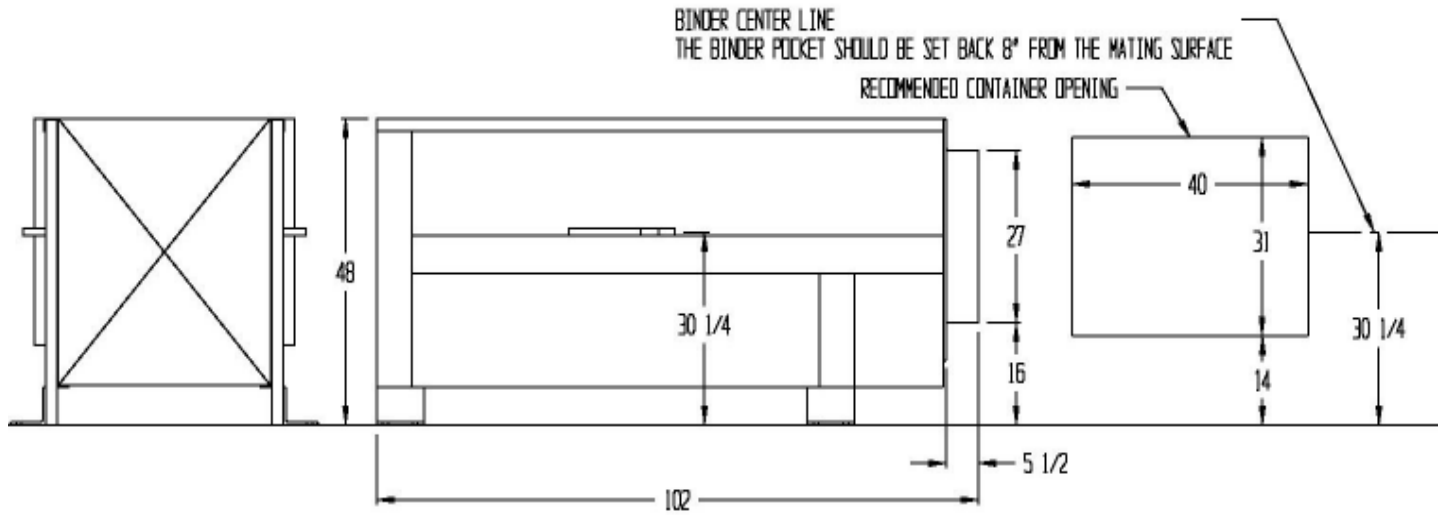
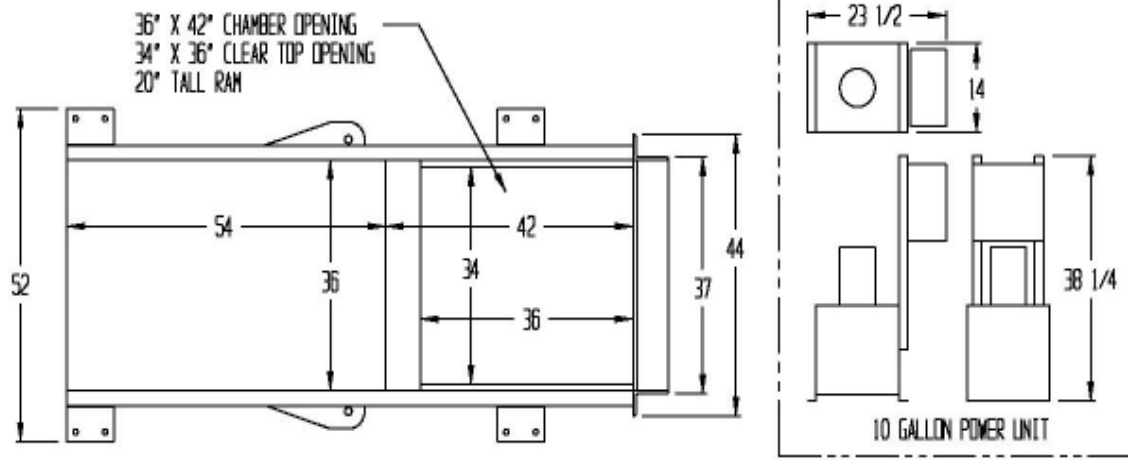
- ◀ Abrasive resistant floor (AR 235)
- ◀ Nylatron guide system
- ◀ Close Tolerances between ram and floor
- ◀ Totally enclosed fan cooled motor (T.E.F.C.)

Call Toll Free  
**1-800-253-0532**

**Sebright Products, Inc.**  
127 N. Water St.  
Hopkins, MI 49328  
[www.sebrightproducts.com](http://www.sebrightproducts.com)

**THE DENSIFICATION SPECIALISTS**





Model Number	Cu. Yd.	Motor H.P.	Pump GPM	Cyl. Bore	Cyl. Stroke	Max PSI	Ram Penetration	Ram Face PSI	Cyl. Force	Cycle Time	Base Unit Weight (lbs)
4236-1-4	.75	3	5.5	4	48	2,000	11.5	35	25,140	45	2,665
4236HV-1-4	.75	5	7.5	4	48	2,000	11.5	35	25,140	30	2,790



**Sebright Products, Inc.**  
 127 N. Water St., Hopkins MI 49328  
 Phone: 269-793-7183 Fax: 269-793-4022  
 Toll Free 800-253-0532  
 www.sebrightproducts.com

Due to product improvements, the manufacturer reserves the right to alter, or amend, without notice, any of these specifications and/or dimensions.

All machines and accessories are primer coated and finish painted. Standard color chart available upon request.

**Complete line of Solid and Wet Waste Handling Equipment includes:**

*Stationary Compactors \* Self Contained Compactors \* Precrushers \* Hydraulic Dumpers\* Densifiers \* Construction Compactors  
 High Density Extruders \* Belt Filter Presses*